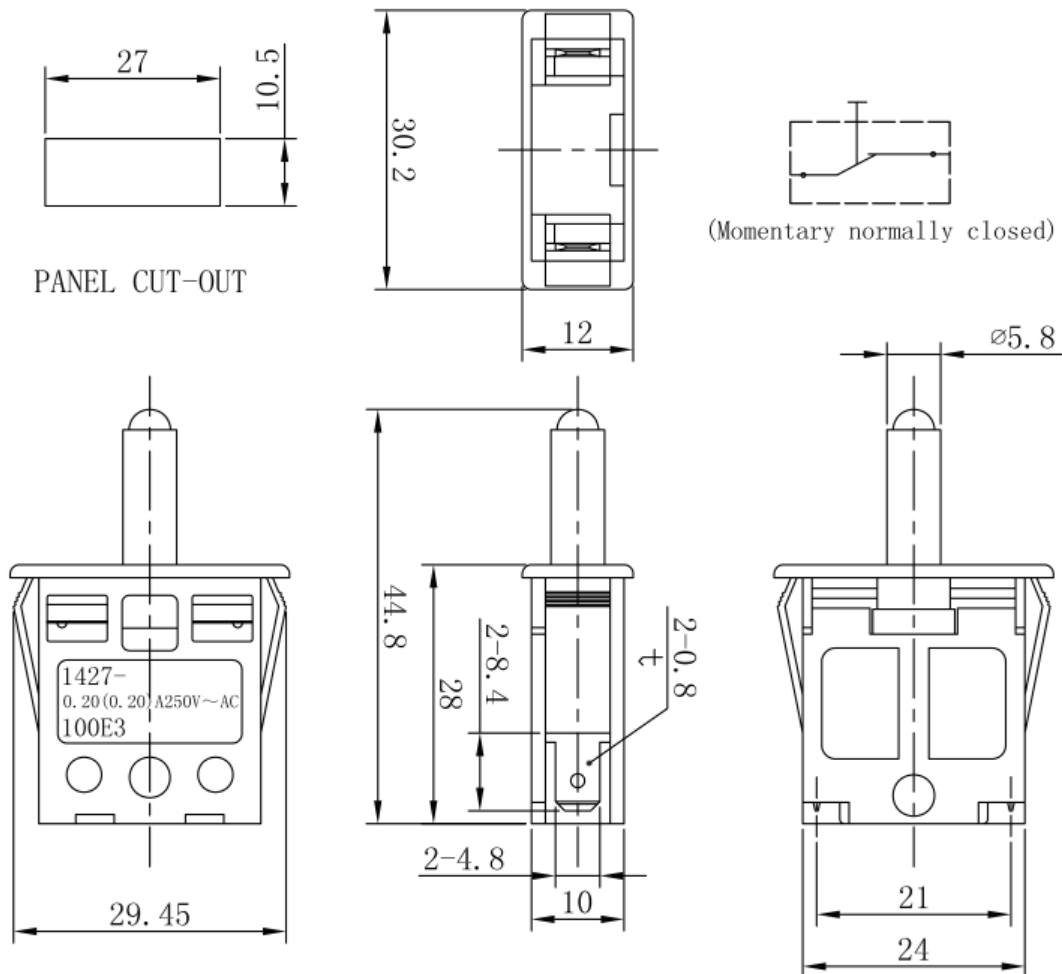


Plunger Switch

Model Type 2 - Part No: HG1335



Contact Resistance	<50m Ω
Insulation Resistance	>100M Ω
Dielectric Strength	1500vAC
Operating Temp.	-20 to +55 °C
Electrical Life	>10,000 cycles
Terminals	4.8x0.8
Rated Voltage	0.2A 250vAC, 0.5A 125vAC